



EASii-Clean

Hinnenboomstraat 1 bus 2
2320 Hoogstraten
Belgium

T: +32 (0)3-314 18 01
F: +32 (0)3-314 18 02
E: info@bogaertsgl.com
W: www.bogaertsgl.com



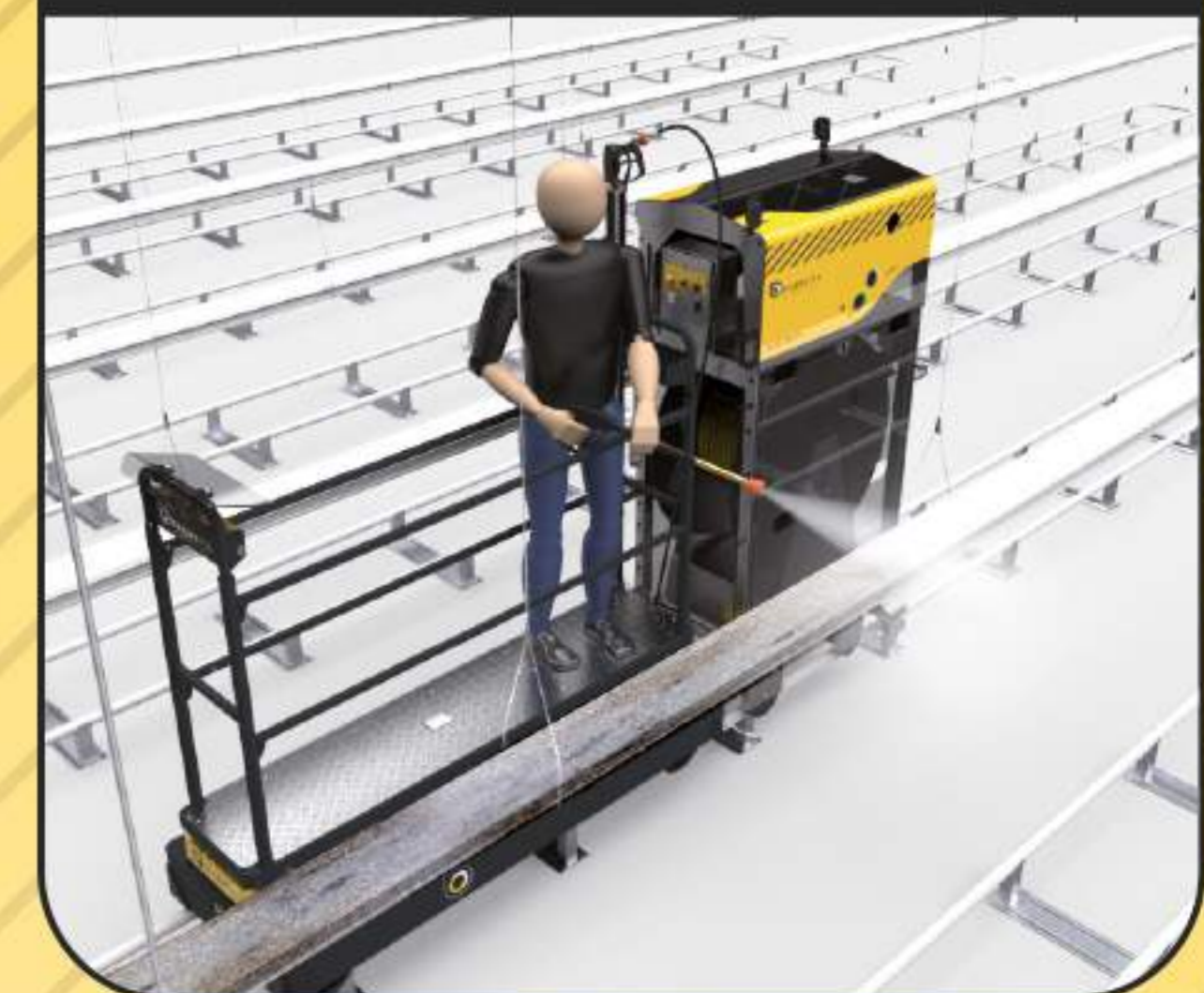
easy & fast
quick coupling



ideal for cleaning
during **crop rotation**



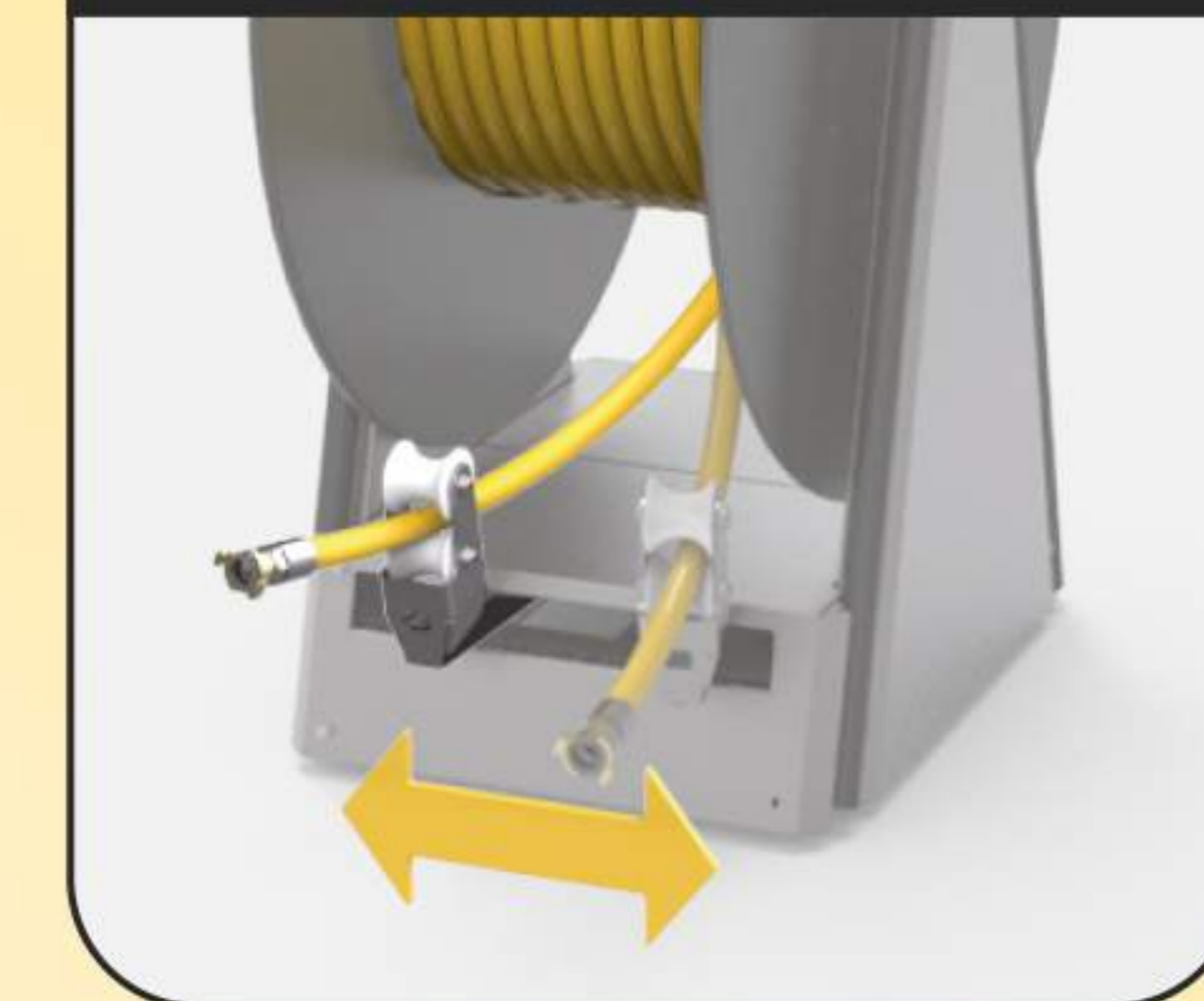
targeted cleaning
high pressure



precise cleaning at
ii-Lift speed



automatic
hose guidance



constant traction



Maximum supply pressure	15 bar
Maximum hose length	175 m
Weight	355 kg
Dimensions (l x h)	1427 mm x 2110 mm
Pump pressure	200 bar
Flow rate	21 L/min.