



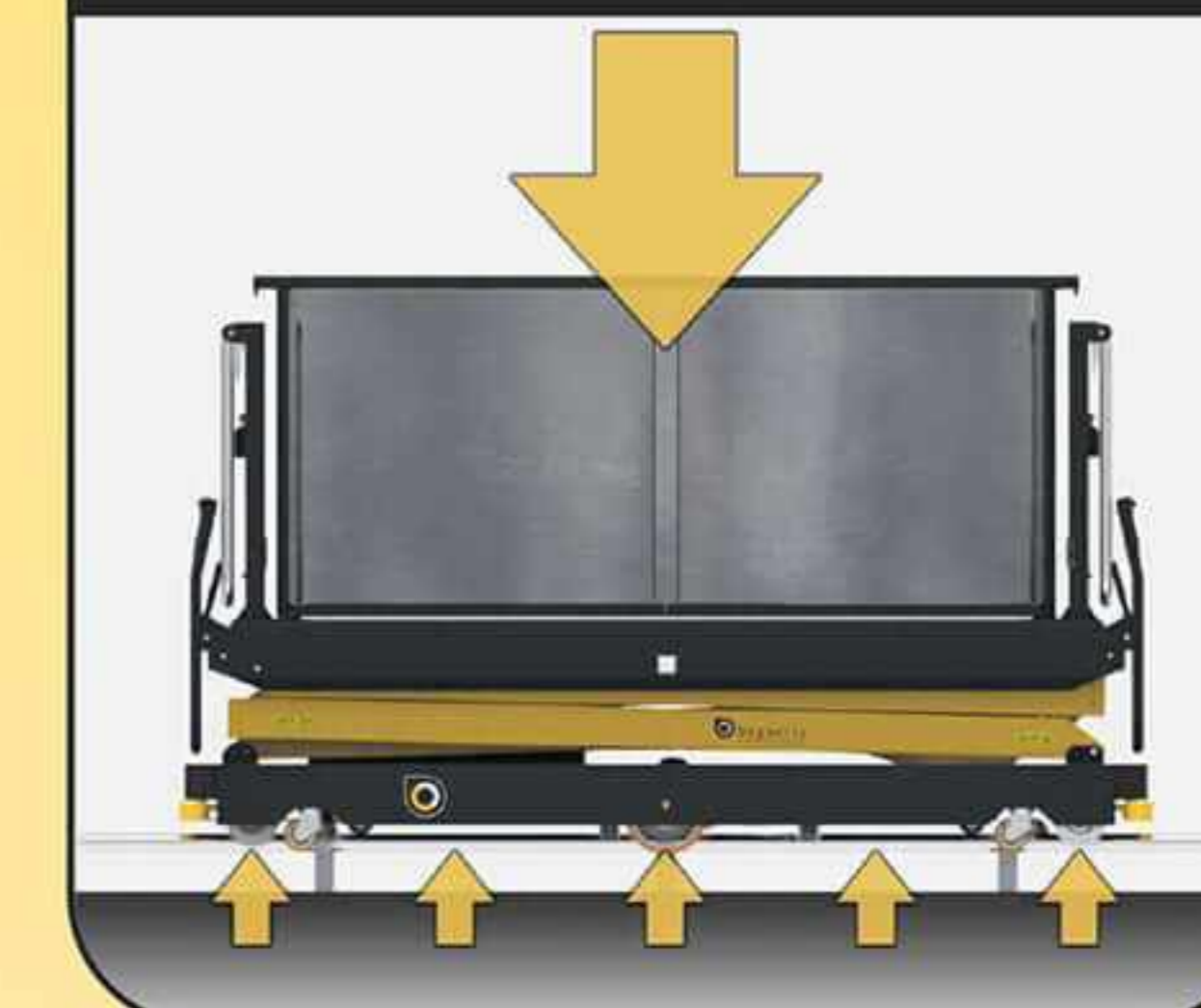
Hinnenboomstraat 1 bus 2
2320 Hoogstraten
Belgium

T: +32 (0)3-314 18 01
F: +32 (0)3-314 18 02
E: info@bogaertsgl.com
W: www.bogaertsgl.com

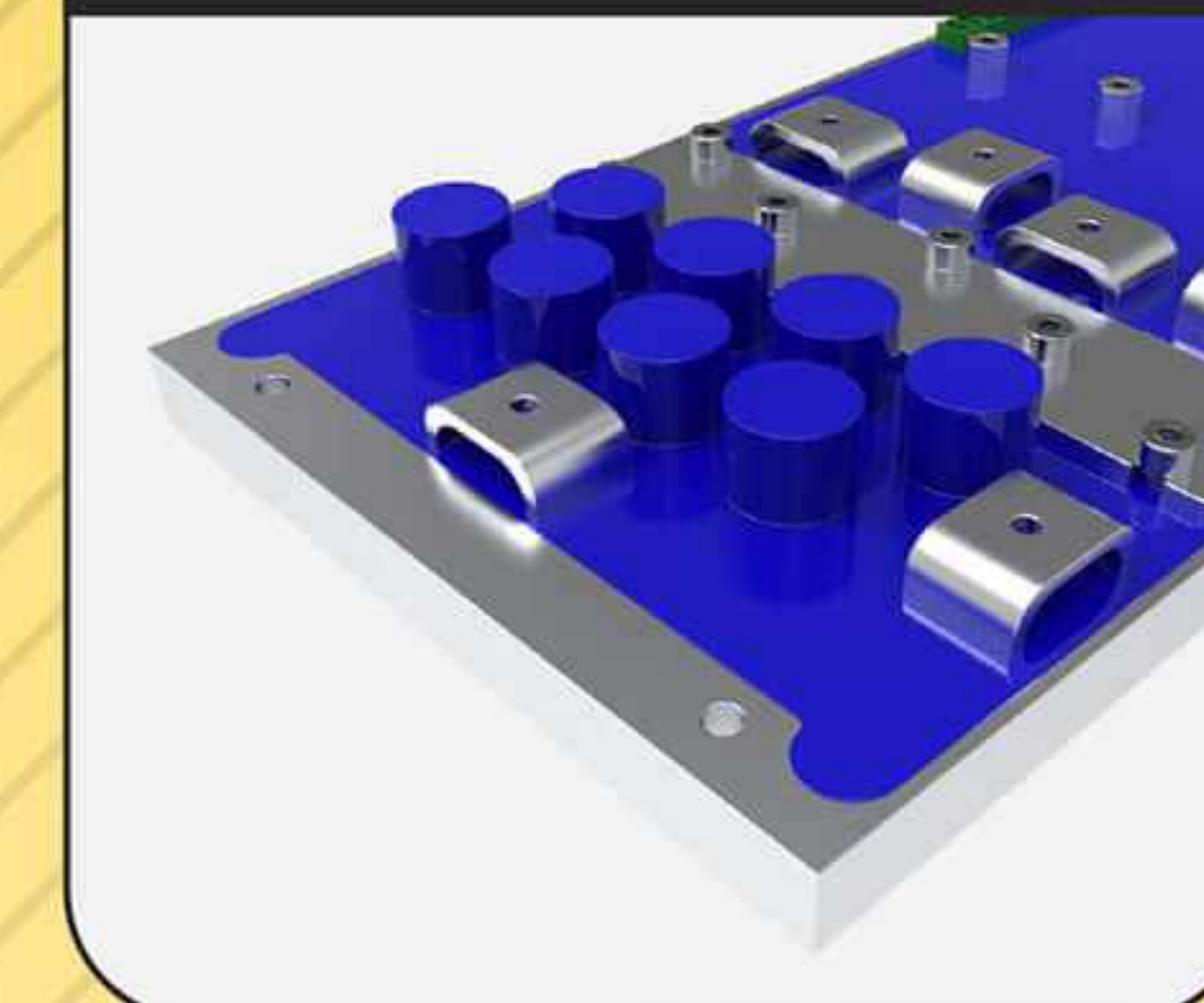
**adjustable
platform**



**stability
& low piperail balast**



**extremely
durable electronics**



easy handling



zero turn



**automatic
traffic control**



ii-Drive Pepper

Min. platform height
Max. platform height
Length
Height
Batteries
Weight
Max. speed

250 mm
3850 mm
2850 mm
1600 mm
145 Ah - 24 V - full traction
785 kg
110 m/min

This information is not binding. Visual and technical specifications can change due to innovation.